

20
kW

POWERPROTECT.
Standby Generators



RESIDENTIAL Standby Generators



SPECIFICATIONS

| OVERVIEW | |
|---|----------------------------|
| Brand | Briggs & Stratton® |
| Series Name | Power Protect™ |
| Model Name | PP20 |
| Model Number | 040662 |
| Rated AC Voltage (Volts) | 120 / 240 |
| Frequency (Hz) | 60 |
| Generator Breaker (Amps) | 100 |
| Operating Ambient Temperature (°C / °F) | -28 - 40 / -20 - 104 |
| Running Amperage, Standby (LP / NG) (Amps) | 83.3 / 83.3 |
| Running Power, Standby (LP / NG) (kW) | 20 ¹ / 20 |
| Power Factor | 1.0 |
| Programmable Exercise Cycle | 16 sec (default) - 20 mins |
| Engine | |
| Engine Brand/Manufacturer | Vanguard® |
| Model Type | M61 |
| Aspiration | Naturally Aspirated |
| Speed (RPM) | 3600 |
| Displacement (ci/cc) | 61 / 993 |
| Compression Ratio | 9.7:1 |
| Governor Type | Electronic |

20

kW

POWERPROTECT
Standby Generators
RESIDENTIAL STANDBY GENERATORS SPECIFICATIONS



| Engine | |
|--|--|
| Bore & Stroke (mm / in) | 85.5 x 86.5 / 3.37 x 3.41 |
| Cylinder Block | Aluminum with Cast Iron Sleeve |
| Valve Arrangement | OHV |
| Engine Cylinder Configuration | V |
| Number of Cylinders | 2 |
| Start Type | Automatic |
| Frequency Regulation Steady State, No Load to Full Load (%) | +/- 1.0 |
| Air Filter Type | Dry |
| Low Oil Pressure Switch | Yes |
| Engine Oil Heater | Optional |
| Rated Temperature (°C / °F) | 25 / 77 |
| Sound Rating ² | |
| Low Idle Mode Sound dB(A) | 65 |
| Normal Operating Sound ² dB(A) | 68 |
| Lubrication System | |
| Type | Full Pressure |
| Oil Capacity (oz / L) | 78 / 2.31 |
| Oil Filter (Quantity / Type) | 1 / Cartridge |
| Oil Brand | Schaeffer |
| Recommended Oil | 5W30 Full Synthetic |
| Electrical System | |
| Ignition System | Variable Timing |
| Battery Quantity | 1 |
| Battery Voltage (VDC) | 12 |
| Battery CCA (Amps) | 540 |
| Battery Grouping Size | 26 or 51 |
| Starter Motor Voltage (VDC) | 12 |
| Fuel System | |
| Fuel Type | NG / LPV |
| Fuel Supply Line Inlet | 3/4" NPT |
| Recommended Fuel, Lower Heating Value Minimum (MJ/m ³ / BTU/ft ³) | NG: 34.3 / 904 LPV: 87.1 / 2338 |
| Fuel Supply Pressure (mbar / in H2O) | NG: 9-17 / 3.5-7 LPV: 28-34 / 11-14 |

20

kW

POWERPROTECT
Standby Generators
RESIDENTIAL STANDBY GENERATORS SPECIFICATIONS



| Fuel Consumption³ | |
|--|------------------------------|
| No Load, NG (BTU/hr) | 99,000 |
| No Load, NG (ft³/hr) | 99 |
| Half Load, NG (BTU/hr) | 187,000 |
| Half Load, NG (ft³/hr) | 187 |
| Full Load, NG (BTU/hr) | 260,000 |
| Full Load, NG (ft³/hr) | 260 |
| No Load, LP (BTU/hr) | 100,000 |
| No Load, LP (ft³/hr) | 40 |
| No Load, LP (gal/hr) | 1.10 |
| Half Load, LP (BTU/hr) | 208,000 |
| Half Load, LP (ft³/hr) | 83 |
| Half Load, LP (gal/hr) | 2.30 |
| Full Load, LP (BTU/hr) | 338,000 |
| Full Load, LP (ft³/hr) | 135 |
| Full Load, LP (gal/hr) | 3.70 |
| Alternator Specifications | |
| Alternator Type | Self-Excited, Rotating Field |
| Alternator Manufacturer | Briggs & Stratton |
| Frequency (Hz) | 60 |
| Phase | 1 |
| Insulation Rating (Class) | F |
| Designed Temperature Rise (°C) | 105 |
| Bearing (Quantity / Type) | 1 / Sealed |
| Number of Poles | 2 |
| Voltage Regulator | Brushed / Electronic |
| Motor Starting Capability (kVA) | 41 (35% Voltage Dip) |
| Total Harmonic Distortion (THD), NL to FL (%) | < 5 |
| Controls/Instrumentation | |
| Controller | GC-1032 |
| Charger | Stand Alone |
| Starting | AMF or 2-wire |
| LED Digital Display | Yes |
| Alternator Frequency | Yes |
| Real Time Clock | Yes |
| Engine Hour Counter | Yes |
| Engine Runtime Scheduler | Yes |

20
kW

POWERPROTECT
Standby Generators
RESIDENTIAL STANDBY GENERATORS SPECIFICATIONS



| Controls/Instrumentation | |
|---|----------|
| Low Oil Pressure Shutdown | Yes |
| High Temperature Shutdown | Yes |
| Fault Code Display | Yes |
| Other Features | |
| Battery Rack and Cables | Yes |
| Fuel Solenoid Valve | Yes |
| Integral Vibration Isolation | Yes |
| Oil Drain Extension | Yes |
| Operation and Installation Manual(s) | Yes |
| Enclosure | Aluminum |
| Wind Speed Rating (mph) | 186 |
| Accessories | |
| Maintenance Kit | 6872 |
| Oil Warmer | 6840 |
| Fuel Regulator Warmer | 6845 |
| Surge Protector | 6631 |
| UPS | 6581 |
| InfoHub™ Universal - Cellular | 6574 |
| Limited Warranty⁴ | |
| Warranty: Generator, Domestic & Canada (Parts / Labor / Travel) – Years | 6 |
| Warranty: Enclosure, Surface Rust and Corrosion (Parts / Labor / Travel) – Years | 1 |
| Warranty: Enclosure, Rust Through (Parts / Labor / Travel) – Years | 3 |
| Certifications | |
| UL | Yes |
| cUL | Yes |
| Massachusetts Plumbers and Gasfitters Listing | Yes |

20

kW

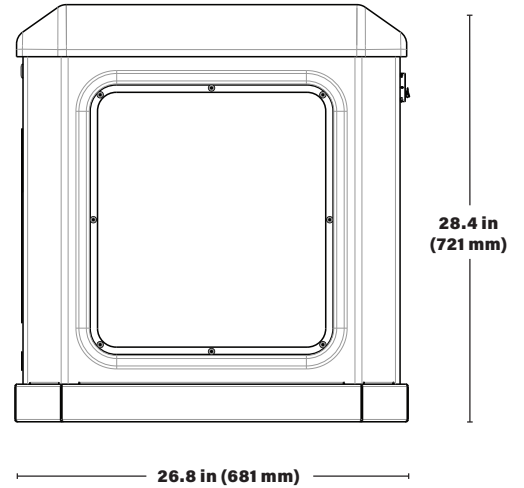
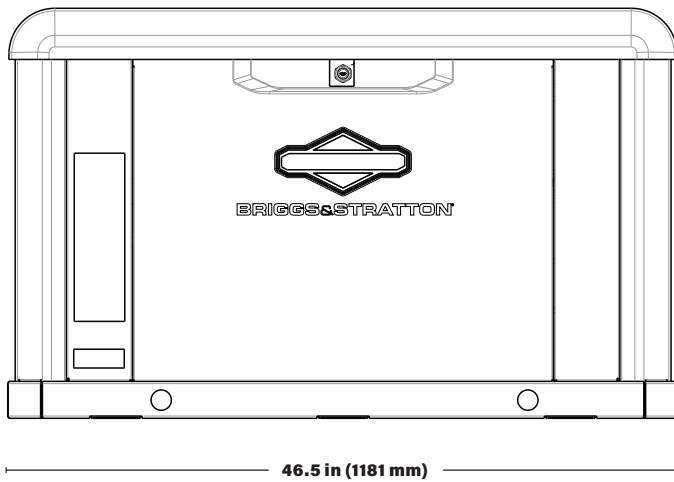
POWERPROTECT[®]

Standby Generators

RESIDENTIAL STANDBY GENERATORS SPECIFICATIONS



| Weights & Dimensions | |
|--|--|
| Assembled Dimensions (Length x Width x Height) (in / mm) | 46.5 x 26.8 x 28.4 / 1181 x 681 x 721 |
| Assembled Weight (lbs / kg) | 435 / 200 |
| Packaged Dimensions (Length x Width x Height) (in / mm) | 48.8 x 30.5 x 50.5 / 1240 x 775 x 1283 |
| Packaged Weight (lbs / kg) | 520 / 240 |
| Outline and Pad Layout Drawing | 80104088 |



¹ This generator is rated in accordance with UL (Underwriters Laboratories) 2200 (stationary engine generator assemblies) and CSA (Canadian Standards Association) standard C22.2 No. 100-14 (motor and generators).

² Per ISO 3744. Sound level measurement at other locations around generator may differ depending on installation, based on lowest microphone at 7m. Normal operation based on average household usage.

³ Fuel consumption rates are estimated based on normal operating conditions. Generator operation may be greatly affected by elevation and the cycling operation of multiple electrical appliances – fuel flow rates may vary depending on these factors.

⁴ See operator's manual or BRIGGSandSTRATTON.com for complete warranty details.

Briggs & Stratton has a policy of continuous product improvement and reserves the right to modify its specifications at any time and without prior notice.

This standby generator is not for Prime Power applications.

Published January 2023. Please visit BRIGGSandSTRATTON.com for the latest information.

BS1305 - 1/23

BRIGGS & STRATTON
POST OFFICE BOX 702
MILWAUKEE, WI 53201 USA

Copyright © 2023 Briggs & Stratton. All rights reserved.